


Features:

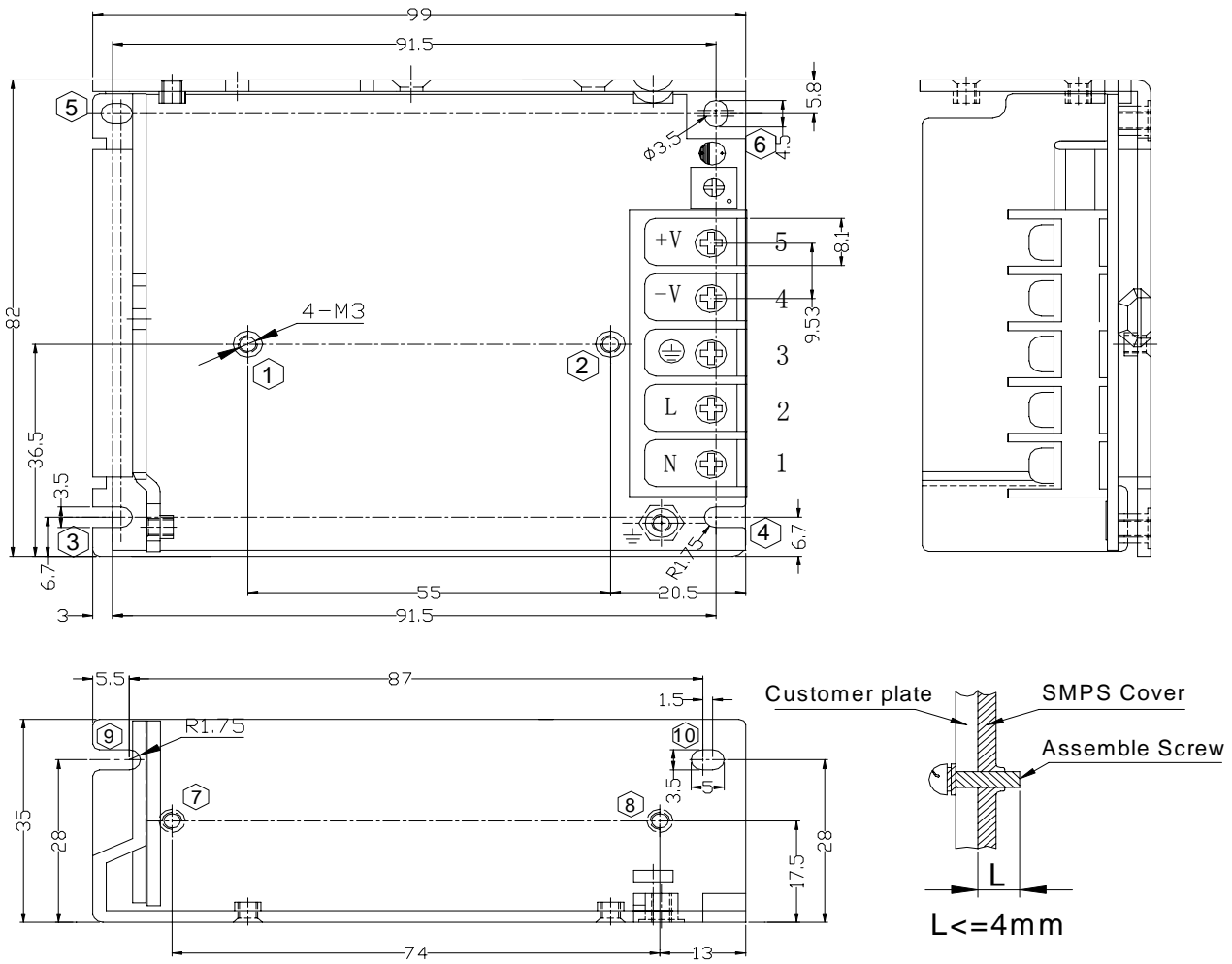
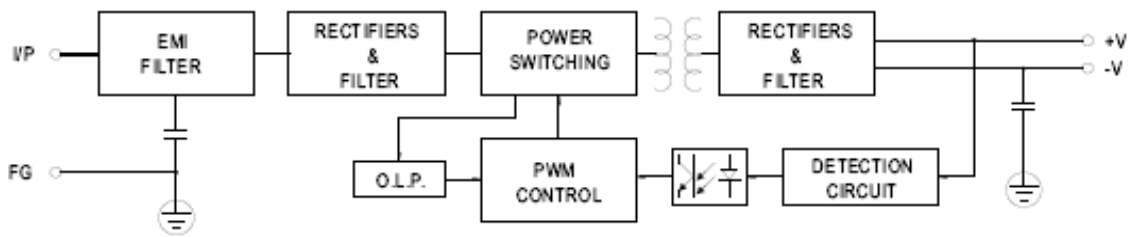
- No Load power consumption<0.5W
- High AC input range
- Miniature size,high power density,high efficiency,long life and high reliability
- Withstand 300VA surge input for 5 sec.
- Output protections: OLP/OVP/SCP
- Wide operating ambient temp (-25℃~70℃), 100% @50℃、70%@70℃
- Operating altitude up to 5000M
- All using 105℃ long life electrolytic capacitors.
- 100% full load burn-in test
- Easy assembling from top side
- PCB soldering side with conformal coating
- Suitable for critical applications
- 3 years warranty

SPECIFICATION

MODEL		PD-H60S12
OUTPUT	DC Output	12V
	Rated Current	5.0A
	Current Range	0-5.0A
	Ripple and Noise (-25℃~70℃) Note 2	≤120mVp-p
	Voltage ADJ. Range	11.4~13.2V
	Voltage Accuracy	±3%
	Line Regulation	±0.5%
	Load Regulation	±1%
	Set-up Time	<1.5S (230Vac input, Full load)
	Hold up Time	>50mS(230Vac input, Full load)
	Temperature Coefficient	±0.03%/℃
	Overshoot and Undershoot	<5.0%
INPUT	Voltage Range	176Vac~264Vac
	Frequency Range	47Hz~63Hz
	Efficiency (Typical)	≥84%
	AC Current (max.)	<1.3A
	Inrush Current (Typical)	<40A@230Vac Cold start
	Leakage Current	Input—output:<3.5mA Input—PG:<0.25mA
PROTECTION	Over Load	5.25~7.5A, constant power
	Over power	63~90W, constant power
	Over Voltage	13.8~18V, Constant Voltage
	Short Circuit	Long-term mode, auto recovery
ENVIRONMENT	Operating amb. Temp. & Hum.	-25℃~70℃; 20%-90%RH No condensing (refer to the derating curve)
	Storage Temp. & Hum.	-40℃~85℃; 10%-95%RH No condensing
SAFETY & EMC Note 3	Safety Standards	EN60950-1; 2006
	Withstand Voltage	Primary-Secondary:3.0KVac; ≤10mA .Primary-PG:1.5KVac; ≤10mA. Secondary-PG:0.5KVDC;≤10mA.
	Isolation Resistance	≥100M ohms
	EMI Conduction&Radiation	Compliance to EN55022 / FCC PART15 ClassB
	EMS Immunity	Compliance to EN61000-4-2,3,4,5,6,8,11;
OTHERS	MTBF (MIL-HDBK-217F)	More than 200,000Hrs (25℃, Full load)
	Dimension (L*W*H)	99×82×35mm
	Packing	40PCS/CTN, 12.8KGS, 0.043CBM
	Cooling method	Cooling by free air convection
NOTE	1. All parameters NOT specially mentioned are measured at rated input, rated load and 25℃ of ambient temperature. 2. Measured at 20MHz of bandwidth by using a 12" twisted pair-wire terminated with a 0.1 uF & 10uF parallel capacitor. 3. The SPS is considered a component which will be installed into final equipment. The equipment must be re-confirmed that it still meets EMC directives. 4. Powerld offer accessories for Din-35 rail bar. Please contact sales staff for details.	

Mechanical Specification

Unit: mm


Block Diagram

Derating Curve
